

NUMAIN

By Stéphane Crête

Created, performed and directed by: Stéphane Crête

Set and costumes: Robin Brazill

Lighting, technical direction and stage manager: David Poulin

Sound: Éric Forget

Production manager: Cynthia Bouchard-Gosselin

TECHNICAL RIDER

Update : November 10th, 2019

Labo Crête

4624 Parthenais, Montréal, H2G 2G7

Phone : +1 514-725-2240

Contact: Stéphane Crête / stephane@labocrete.com

DURATION: 1h05 minutes without intermission

STAGE

**If the dimensions of your stage are smaller than these, please contact us to study the possibilities of adaptation.*

Width :	20'
Depth :	20'
Height under grid :	12'

SET AND PROPS

- Linoleum carpet 12' width x 15' depth
- Wood table 6'x3', 1 bench, 1 stool with casters
- 1 hyperrealistic silicone doll
- Props

See photo and plot in annex

STAGE MASKING

Standard Italian style (or german style) stage masking
Position of the legs will be determined on the light plot.

SOUND (to be provided by the presenter) *minimum required

PA system (left, right)
Sub (low frequencies) speaker
2 speakers in the background
2 speakers behind the audience
1 sound control board with a minimum of 8 balanced line inputs and 6 outputs
Controlled by Q-Lab system (provided by the production)
8 inputs sound card (provided by the production)

LIGHT (to be provided by the presenter) **minimum required*

40 dimmers of 2.4kw
1 ETC Express 48/96 lighting control board

6x 6 foot booms
12 Lekos of 36 degrees on the booms (2 per boom)
5 Lekos of 36 degrees above the stage
5 Lekos 25/50 cuts above the stage
10 Fresnel 500W (with shutters) on the back wall
6 Lekos of 26 or 30 degrees in FOH

The exact amount of projectors will be determinate on the light plot.

LOAD IN/OUT

A pre-set of the lighting and the masking before the arrival of the tour team is appreciated.

1x 4-hour service with 4 technicians including a sound engineer and an electric chef.

DRESSING ROOMS

1 dressing room that could accommodate a total of 3 persons.

The dressing rooms should be equipped with a mirror, a sink, a shower, towels and ideally access to a laundry room with iron and ironing board.

TOURING TEAM

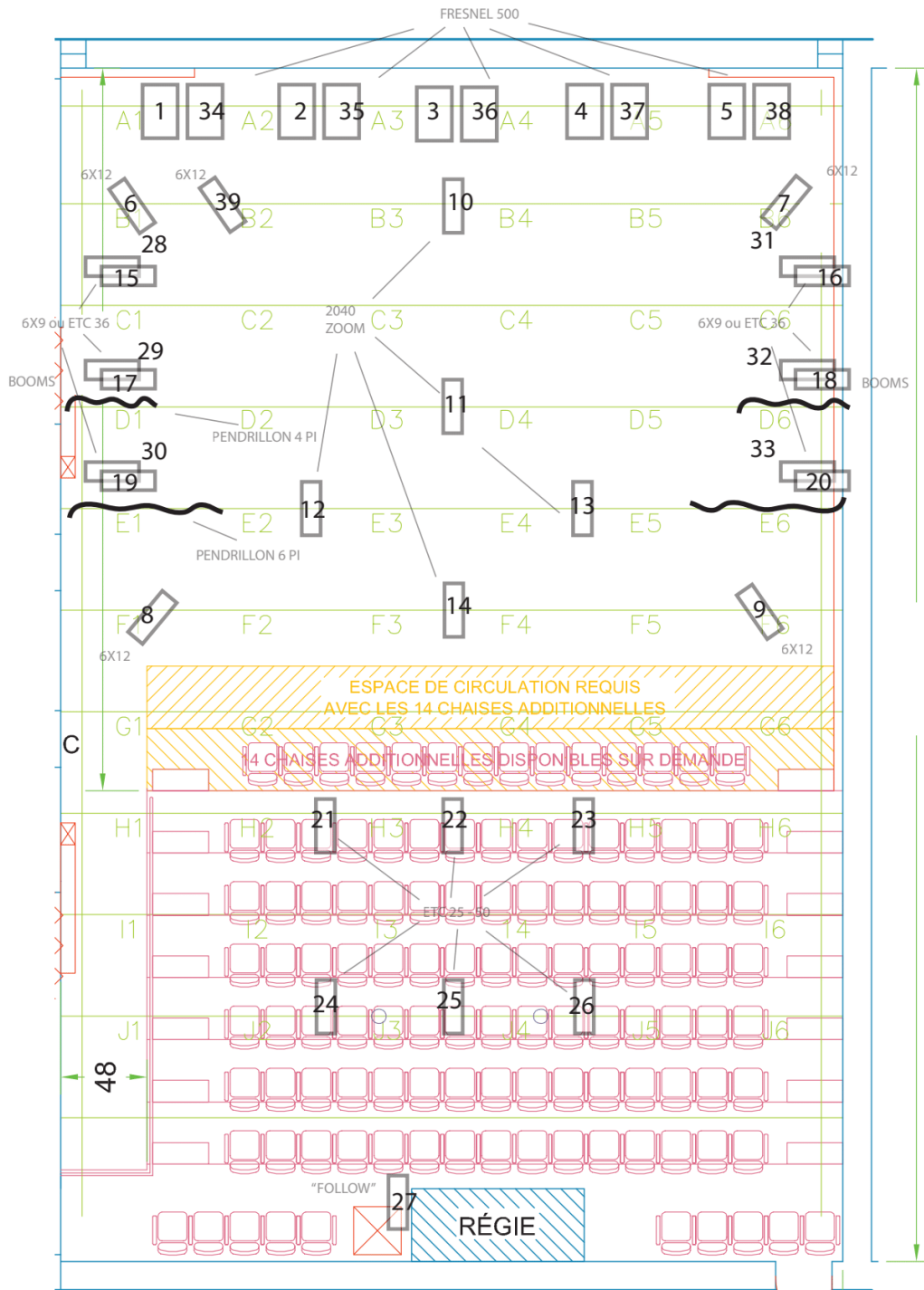
1 technical director/sound/props
1 stage manager/light
1 performer

ANNEXES

Photos (general view)



Lighting plot



<p>NUMAIN STÉPHANE CRÊTE</p>	<p>VERSION 1</p>	<p>RÉSIDENCE TECHNIQUE LA CHAPELLE</p>
<p>CONCEPTEUR LX: DAVID POULIN 514-349-2536</p>		<p>AOÛT 2019</p>